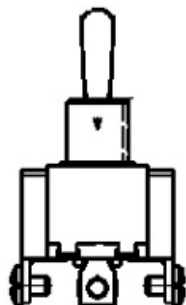




11TS15-2



Actual product appearance may vary.

TS Series Toggle Switch, 1 pole, 2 position, Screw terminal, Standard Lever

Features

- 2- or 3-position, momentary and maintained action
- 1- and 2-pole circuitry
- Rated up to 20 amp
- Lever-to-bushing seal
- UL recognized, CSA certified
- CE approved

Potential Applications

- Industrial machinery and equipment
- Military and commercial aviation
- Construction equipment
- Test instruments
- Agricultural machinery
- Process control
- Medical instrumentation

Description

May be used anywhere manual operation is desired. Special on-on-on circuitry can also be furnished. MICRO SWITCH™ TS Series switches have 2- or 3-position, momentary and maintained action switches with 1- and 2-pole circuitry. Switches have solder, screw or quick-connect terminations.

Product Specifications	
Circuitry/Operating action	<div style="display: flex; justify-content: space-around; align-items: center;"> <div style="text-align: center;"> <p>Keyway Position</p> <p>2 3 OFF</p> </div> <div style="text-align: center;"> <p>Opposite Keyway Position</p> <p>2 3 ON</p> </div> </div>
Product Type	MICRO SWITCH™ Toggle Switch
Ampere/Voltage Range (Resistive Load)	0.4 A to 20 A at 0.5 Vac to 125 Vac, 0.4 A to 10 A at 126 Vac to 277 Vac
Circuitry	SPST
Action	2 position

Mounting	Bushing 15/32 in
Termination	Screw
Lever Type	Standard
UL/CSA Rating Code	L191: 15 A-125, 250, 277 Vac; 1/2 Hp-125 Vac; 1 Hp-250, 277 Vac; 5 A-120 Vac "L"
Comment	Bright nickel lever and bushing
Availability	Global
UNSPSC Code	30211908
UNSPSC Commodity	30211908 Toggle switches
Series Name	TS

CATALOG LISTING
11TS15 SERIES CHART 1

ISSUE
13

REVISIONS

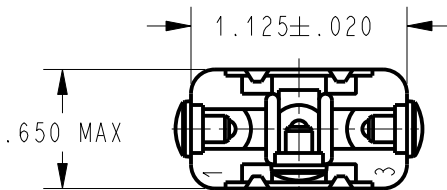
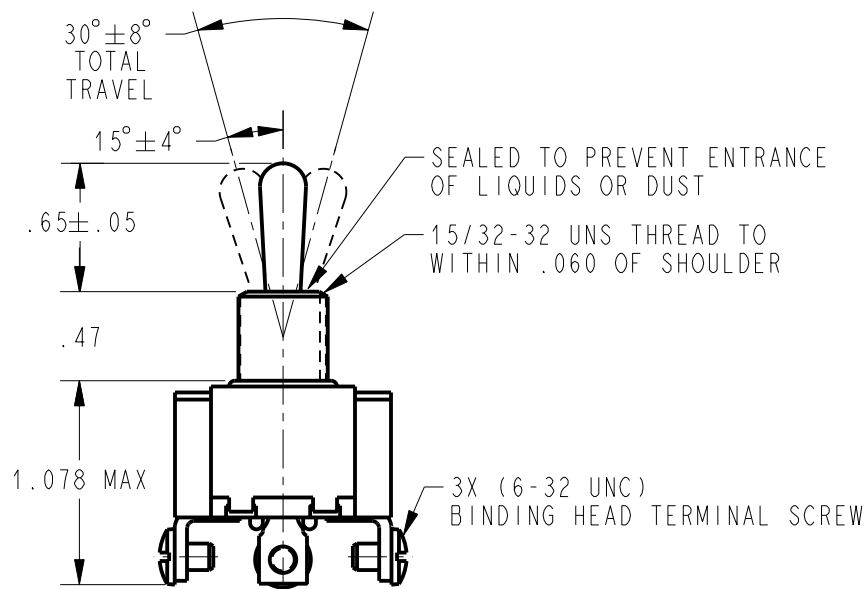
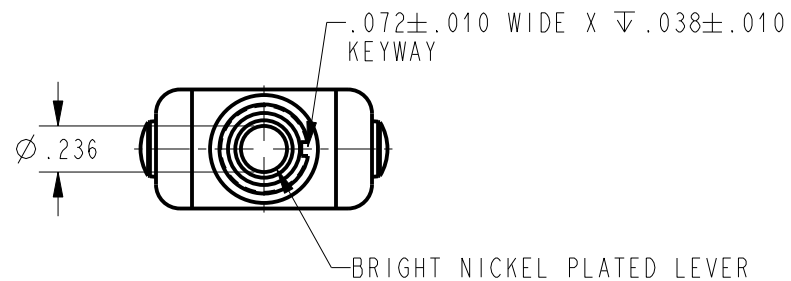
A	203922	KED	18SEP01
B	204980	JLH	26FEB02
C	0001201	JLH	20AUG03

CHECK

SAV	18 SEP 01
CHECK	

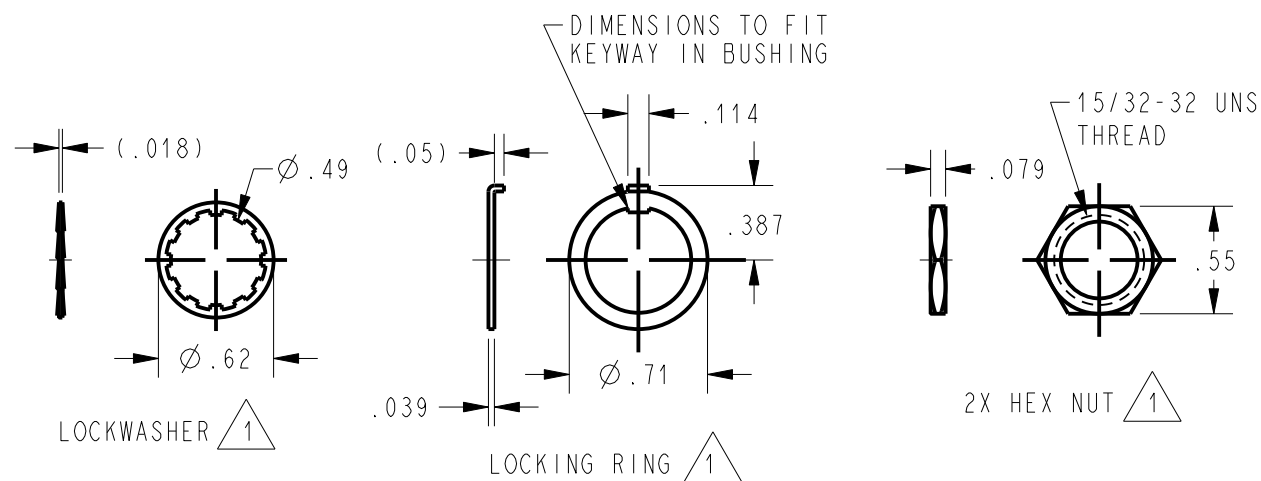
PTC/CAD 2D
DRAWN
KED 18SEP01

PAGE 1 OF 1
RELEASE NO. CO-29429
CO-31176



NOTE
1 FURNISHED UNASSEMBLED

CIRCUIT WITH TOGGLE IN					ELECTRICAL DATA
CAT. LIST.	EXTREME POSITION KEYWAY SIDE 1-2	CENTER	EXTREME POSITION OPPOSITE SIDE 2-3	RELEASE NO.	
11TS15-1	ON	OFF	ON		L311 10A 277 VAC, 20A 125 VAC 3/4HP 125, 250 VAC
11TS15-2	OFF	NONE	ON		
11TS15-3	ON	NONE	ON		
11TS15-4	MOM OFF	NONE	ON	PR-3311	
11TS15-5	MOM ON	OFF	ON	PR-3124	
11TS15-6	MOM ON	NONE	OFF		
11TS15-7	MOM ON	OFF	MOM ON		
11TS15-8	MOM ON	NONE	ON	PR-3811	



THIRD ANGLE PROJECTION	
SCALE FULL	
DO NOT SCALE PRINT	
UNLESS OTHERWISE SPECIFIED TOLERANCES ARE	
ONE PLACE	(.0) ±.030
TWO PLACE	(.00) ±.015
THREE PLACE	(.000) ±.005
ANGLES	±
WEIGHT	